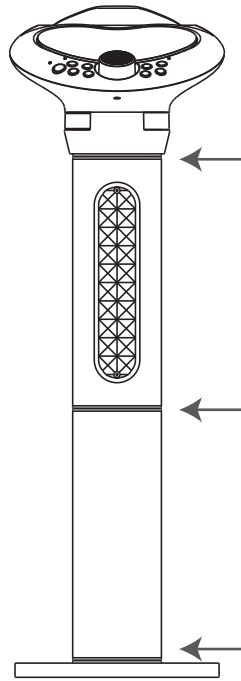
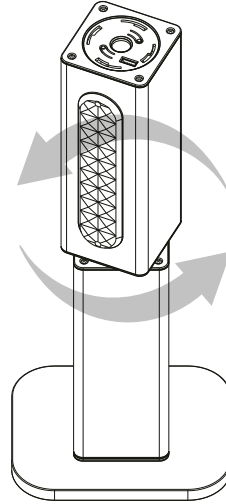


SMK979

INSTRUCTION MANUAL



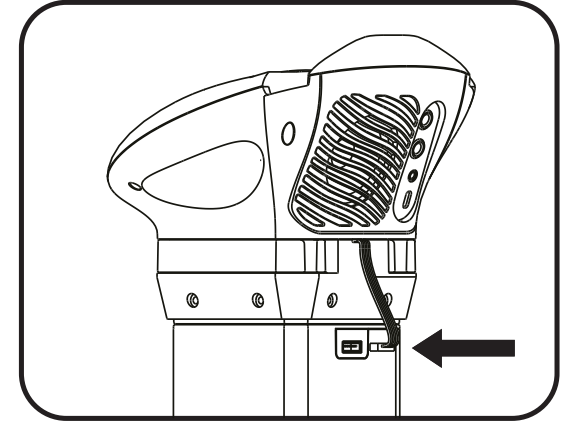
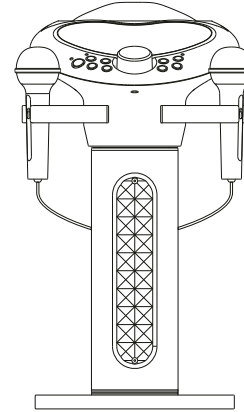
Assemble



Twist and Click

Align the four protruding guide pieces with the four holes below, press down and slightly rotate them to the aligned position. From top to bottom, connect all four parts in this way.

You can remove the lower pedestal and use it as a table top.



Finally, insert the rear plug into the hold lower firmly. This machine is ready for use now.

WARNING: STRANGULATION HAZARD - LONG CORD AND STRAPS. NOT FOR CHILDREN UNDER 36 months.

Important Safety Information

- Read these Instructions.
- Keep these Instructions.
- Heed all Warnings.
- Follow all Instructions.
- Do not use this apparatus near water.
- Clean only with a dry cloth.
- Do not block any of the ventilation openings. Install in accordance with the Manufacturer's instructions.
- Do not install near any heat sources such as radiators, heat registers, stoves, or other apparatus (including amplifiers) that produce heat.
- Protect the power cord from being walked on or pinched particularly at plugs, convenience receptacles, and the point where they exit from the apparatus.
- Only use attachments/accessories specified by the manufacturer.
- Use only with a cart, stand, tripod, bracket, or table specified by the manufacturer, or sold with the apparatus. When a cart is used, use caution when moving the cart/apparatus combination to avoid injury from tip-over.
- Unplug this apparatus during lightning storms or when unused for long periods of time.
- Refer all servicing to qualified service personnel. Servicing is required when the apparatus has been damaged in any way, such as power-supply cord or plug is damaged, liquid has been spilled or objects have fallen into the apparatus, the apparatus has been exposed to rain or moisture, does not operate normally, or has been dropped.
- WARNING:** To reduce the risk of fire or electric shock, do not expose this apparatus to rain or moisture.
- CAUTION:** To reduce the risk of fire or explosion, do not expose batteries to excessive heat such as sunshine, fire or other heat sources.
- CAUTION! ELECTRICALLY OPERATED PRODUCT**
 - Not suitable for children under 3 years of age. As with all electric products, precautions should be observed during handling and use to prevent electrical shock.



Warnings



CAUTION: TO REDUCE THE RISK OF ELECTRIC SHOCK, DO NOT REMOVE COVER (OR BACK). NO USER-SERVICEABLE PARTS INSIDE. REFER SERVICING TO QUALIFIED SERVICE PERSONNEL.

DRIPPING WARNING: This product shall not be exposed to dripping or splashing, and no objects filled with liquids, such as vases, shall be placed on the product.

VENTILATION WARNING: The normal ventilation of the product shall not be impeded for intended use.

Warnings: Changes or modifications to this unit not expressly approved by the party responsible for compliance could void the user's authority to operate the equipment.

FCC WARNING: This equipment may generate or use radio frequency energy. Changes or modifications to this equipment may cause harmful interference unless the modifications are expressly approved in the instruction manual. The user could lose the authority to operate this equipment if an unauthorized change or modification is made. This device complies with part 15 of the FCC Rules. Operation is subject to the following two conditions: (1) This device may not cause harmful interference, and (2) this device must accept any interference received, including interference that may cause undesired operation.

NOTE: This equipment has been tested and found to comply with the limits for a Class B digital device, pursuant to part 15 of the FCC Rules. These limits are designed to provide reasonable protection against harmful interference in a residential installation. This equipment generates, uses and can radiate radio frequency energy and, if not installed and used in accordance with the instructions, may cause harmful interference to radio communications. However, there is no guarantee that interference will not occur in a particular installation. If this equipment does cause harmful interference to radio or television reception, which can be determined by turning the equipment off and on, the user is encouraged to try to correct the interference by one or more of the following measures:

- Reorient or relocate the receiving antenna.
- Increase the separation between the equipment and receiver.
- Connect the equipment into an outlet on a circuit different from that to which the receiver is connected.
- Consult the dealer or an experienced radio/TV technician for help.

Product Disposal Instructions
The symbol shown here and on the product means that the product is classed as Electrical or Electronic Equipment and should not be disposed with other household or commercial waste at the end of its working life. The Waste Electrical and Electronic Equipment (WEEE) Directive (2012/19/ EU) has been put in place to encourage the recycling of products using best available recovery and recycling techniques to minimise the impact on the environment, treat any hazardous substances and avoid the increase of landfill.

When you have no further use for this product, please dispose of it using your local authority's recycling processes. For more information please contact your local authority or the retailer where the product was purchased.

WARNING: TO PREVENT THE RISK OF FIRE OR SHOCK HAZARD, DO NOT EXPOSE THIS UNIT TO RAIN OR MOISTURE

WARNING: CHOKING HAZARD- Small parts. Not for children under 36 months.

DANGEROUS VOLTAGE: The lightning flash with arrowhead symbol within an equilateral triangle is intended to alert the user to the presence of uninsulated dangerous voltage within the product's enclosure that may be of sufficient magnitude to constitute a risk of electric shock to persons.

ATTENTION: The exclamation point within an equilateral triangle is intended to alert the user to the presence of important operating and maintenance (servicing) instructions in the literature accompanying this product.

Troubleshooting Guide

Should this unit exhibit a problem, check the following before seeking service:

No Power

- Power is not on; press the **U** button to turn the unit on.
- Confirm that the USB jack is connected securely to the back of the unit.
- The normal function of the product may be disturbed by strong Electro-Magnetic Interference. If so, simply restart the product to resume normal operation by following the instruction manual. In the event the function does not resume, please use the machine in another part of the home.

No Sound - General

- VOLUME is set to minimum; raise volume.
- Cable connected to AUX IN jack. When a cable is connected, the Aux in function is selected. Unplug to select Bluetooth.
- If using an external device, raise the volume.

No sound from the microphone

- Make sure microphone is firmly connected to the MIC jack.
- Make sure microphone is turned on.
- VOLUME is set to minimum; raise volume.

The Bluetooth device cannot be paired or connected with the unit

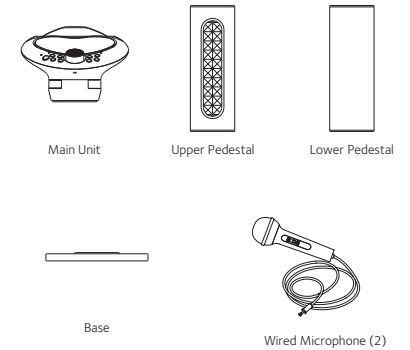
- You have not activated the Bluetooth function of your device; refer to the Bluetooth device user's manual.
- Ensure any other Bluetooth devices are turned off to avoid accidental pairing.
- The system is not in pairing mode; press the **PAIR** button to restart pairing.

The Music is not available on the unit after successfully connecting the Bluetooth

- Ensure your Bluetooth device can support the A2DP Bluetooth profile.
- The volume on the external Bluetooth device is set to low or muted; raise as desired
- Make sure your music's application is open.

Included

Please make sure that the following items are included.



Specifications

AUDIO SECTION	
Output Power (Maximum)	2W (RMS)
BLUETOOTH	
Bluetooth Version	V5.0
Working Distance	Up to 10 meters measured in open space
AUX IN SECTION	
MICROPHONE SECTION	3.5 mm Stereo line in jack (1) 6.3mm Condenser Microphone (2)
DIMENSION	
	7.6W x 9.5L x 29.8H inches / 19.2 x 24.2 x 75.7cm
WEIGHT	
	2.6kgs / 5.7lbs

Specifications are subject to change without notice. Please retain the instructions for further reference, as they contain important information. Remove all elements designed to fasten and protect the product during transport before giving it to children (plastic pieces, labels, wires, etc.)

Copyright © 2024 All Rights Reserved.

The Singing Machine® is a registered trademark of The Singing Machine Co., Inc.

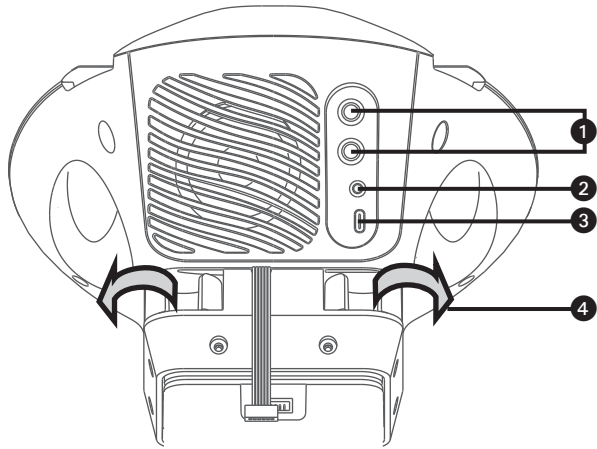


The Bluetooth® word mark and logos are registered trademarks owned by Bluetooth SIG, Inc. and any use of such marks and logos by The Singing Machine Company, Inc. is under license. Other trademarks and trade names are those of their respective owners.



USB Type-C adaptor

MAKING THE CONNECTIONS



1 Connect the wired microphone (not included) into Mic jack (when desired).

NOTE: Maximum of three microphones (wired or wireless) can be connected to the unit at one time.

2 Connect the external unit to the AUX IN jack on back of this unit. When connected, the Aux In function is automatically selected.

NOTES:

- It is highly recommended to set the volume on the external unit to 1/3 or lower to avoid distortion.
- Skipping tracks is not possible to perform on this unit when using an external device.

3 CONNECTING TO POWER

Plug the Type-C plug of the included adapter into the USB Type-C port 3 on the back of the device. Plug the other end of the adapter into a convenient AC outlet.

Energy Saving Mode (Auto Power System-APS)

This unit will automatically turn off after 5 minutes of inactivity. To resume use of the unit press the **⏻** button. APS is for energy saving purposes.

4 Pull outward to open the microphone holders.

OPERATION

5 During Bluetooth or Aux connection, you can place your tablet or phone (horizontally recommended) on the cradle of the unit.

6 Adjust the volume to a comfortable level using the **MASTER VOLUME** control on this unit as well as the volume on your Bluetooth device.

7 Press the **⌘** button once to turn on the Lights. Press the **⌘** button once again to turn off the Lights.

8 When the unit is turned on and the cable is not connected to the AUX IN jack, the unit will automatically search for and pair with a previously paired Bluetooth device (if previously paired). If no previously paired devices are present, press the **PAIR** button to disconnect any paired devices in order to pair another device.

Turn on your device's Bluetooth option in settings to search for a discoverable device with a Bluetooth signal. Select "**SINGING MACHINE**" from the device results on the Bluetooth menu.

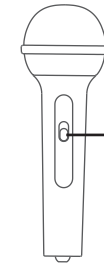
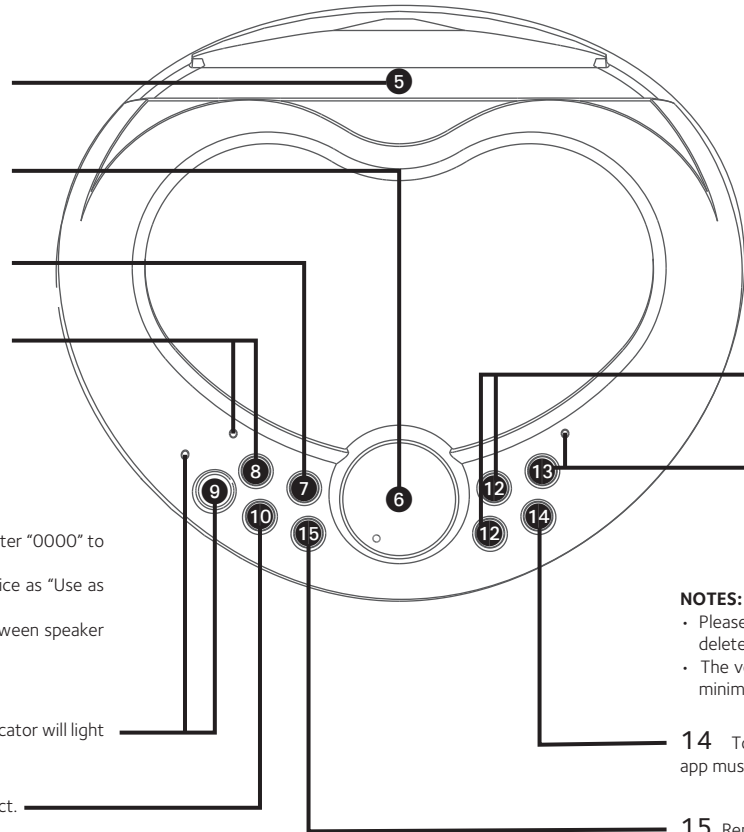
NOTES:

- Also refer to the user manual of your Bluetooth device for detailed instructions.
- If your Bluetooth prompts you for a passcode during the pairing process, please enter "0000" to connect.
- On some Bluetooth devices, once pairing is completed, select your Bluetooth device as "Use as Audio Device" or similar.
- If connection is lost after successful pairing, check to make sure the distance between speaker and Bluetooth-enabled device does not exceed 30 feet/10 meters.

The light will turn solid and a chime will sound indicating pairing was successful.

9 Press the **⏻** button to turn the unit on. When the unit is turned on, the power indicator will light solid.

10 Repeatedly press the **VOICE CHANGER** button to select 6 different vocal effect.



11 Connect the microphone into the microphone jack at the back of the unit. Turn on the microphone by slide the **ON/OFF** switch to the ON position before singing.

12 Press the **⏮** or **⏭** button on the unit. Increasing this control will increase the volume of both microphones.

13 During music playback, press and hold the **RECORD/PLAYBACK** button to record your singing and the music; the indicator will light solid red. You can press the **RECORD/PLAYBACK** button again to stop recording, the red light will turn off. Press again to playback your singing and the music the indicator will light solid green. This unit is able to record for 260 seconds. It will stop recording automatically after 260 seconds and the record indicator will turn off.

NOTES:

- Please note that each time when a new recording is being recorded, the existing recording will be deleted.
- The volume of your singing is affected by the volume setting. Do not record if the volume is set to minimum.

14 To control your Bluetooth device from this unit, press the **▶||** button to start playback (music app must be open). Press the **▶||** button during playback to pause the song.

15 Repeatedly press the **ECHO** button to select 3 different echo modes.